

Cypress Evening Comfort Swings

PLEASE DO NOT RETURN THIS PRODUCT TO THE STORE

SHOULD THERE BE A PROBLEM, WE CAN HELP!

MOST PROBLEMS CAN BE RESOLVED WITHOUT THE BURDEN OF RETURNING THE SWING TO THE RETAILER. GIVE US A CALL AT: 1-888-443-7749 MONDAY-FRIDAY 8:00 AM TO 5:00 PM EST OR Email at hershyway@pcfremail.com

ASSEMBLY INSTRUCTIONS

It is important that all instructions be read before assembly.

WARNING

Bolts on furniture should be checked often and tightened as needed.

Never stand or allow children to stand in this swing! Do not allow anyone under or behind swing when in motion.

Weight capacity 500 lbs.

FOR RESIDENTIAL USE ONLY. NOT FOR USE AS A STORE DISPLAY.

Note: it is normal for chain to rest against arm after assembly is completed. This does not affect the arm as the chain moves at the top and remains stationary next to the arm.

Important Furniture Care

Unless used under cover, a coating of water repellent should be applied to the surface at least once a year or this swing may be painted with an outdoor paint. It can be painted or stained immediately. This will slow the natural aging process and reduce surface checking. This product is manufactured from cypress.

HERSHY WAY LTD.

Millersburg, OH 44654

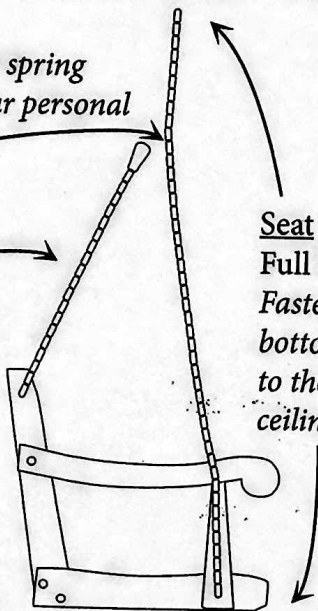
call 1-888-443-7749

email: hershyway@pcfremail.com

Adjust safety spring snaps for your personal comfort.

Back
Short Chain
Fasten to the back piece of the swing.

Seat
Full Support Chain
Fasten from the bottom of the seat to the top of the ceiling.

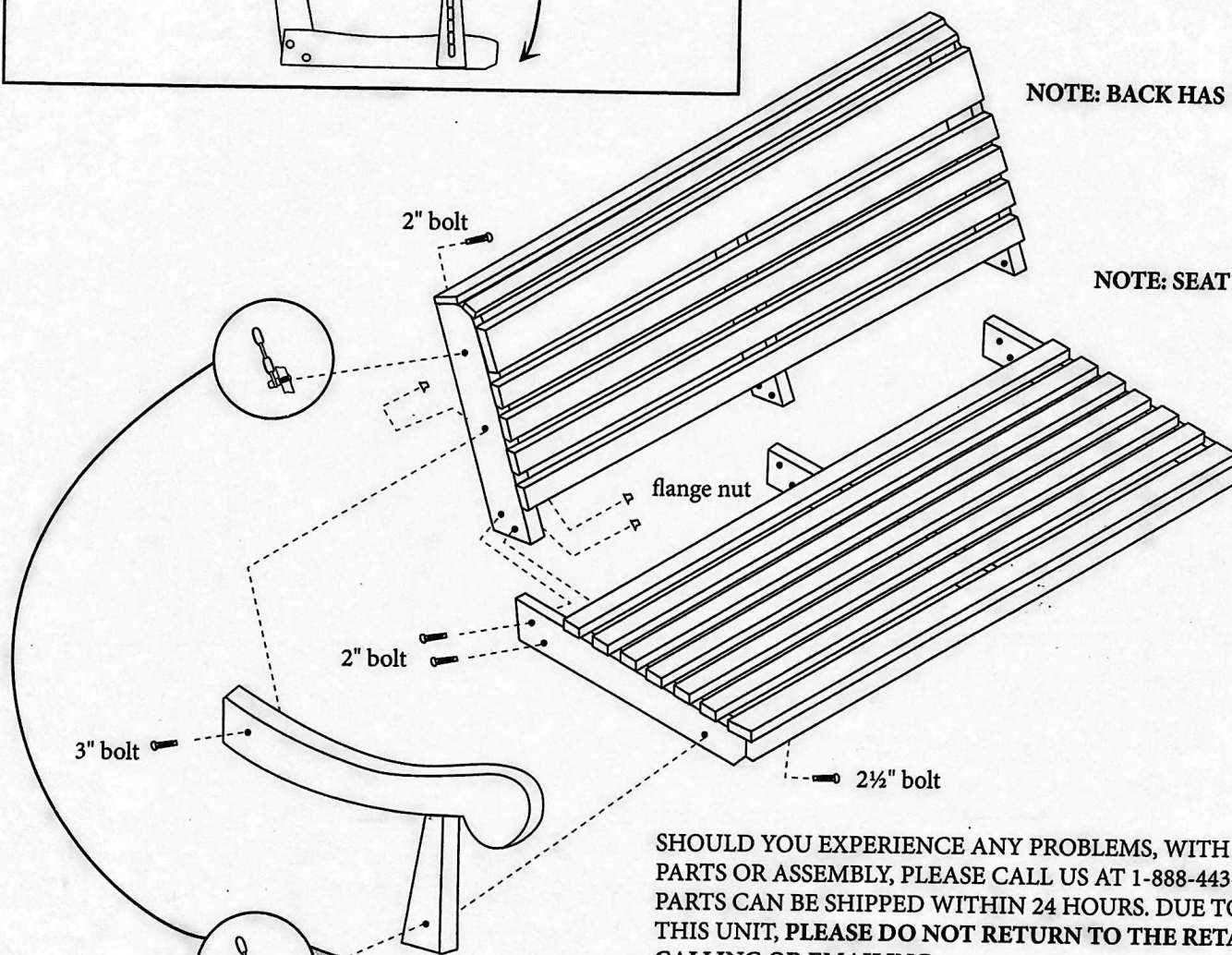


IMPORTANT!

Do not tighten any nuts until assembly is complete.

NOTE: BACK HAS 1 WIDE BOARD

NOTE: SEAT HAS 8 SLATS



SHOULD YOU EXPERIENCE ANY PROBLEMS, WITH MISSING PARTS OR ASSEMBLY, PLEASE CALL US AT 1-888-443-7749. MANY PARTS CAN BE SHIPPED WITHIN 24 HOURS. DUE TO THE SIZE OF THIS UNIT, PLEASE DO NOT RETURN TO THE RETAILER BEFORE CALLING OR EMAILING.

TOOLS NEEDED
 1/2" Box end wrench
 Hammer

HARDWARE PACKAGE

- 2 2 1/2" bolt
- 8 2" bolt
- 2 3" bolt
- 12 flange nut
- 4 lock nut

